

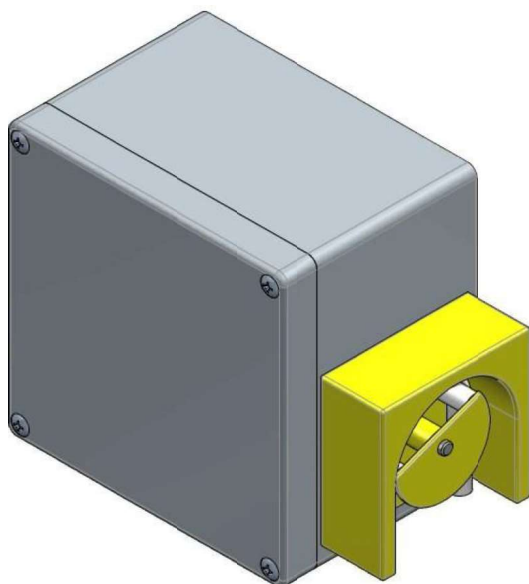
General

This document is only valid in conjunction with the operating instructions for the control of the unit. Obey all safety notes for use of HygroMatik units. You will find the safety notes in chapter 2 of the user manual delivered with the unit.

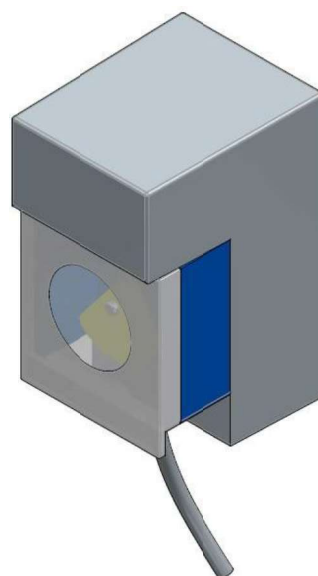


Hose must be mounted before putting pump into operation!

**B-2604091
EP230**



**B-2604079
EP24**



**B-2604077
EPlogic**



Data sheet essence pumps



Technical data

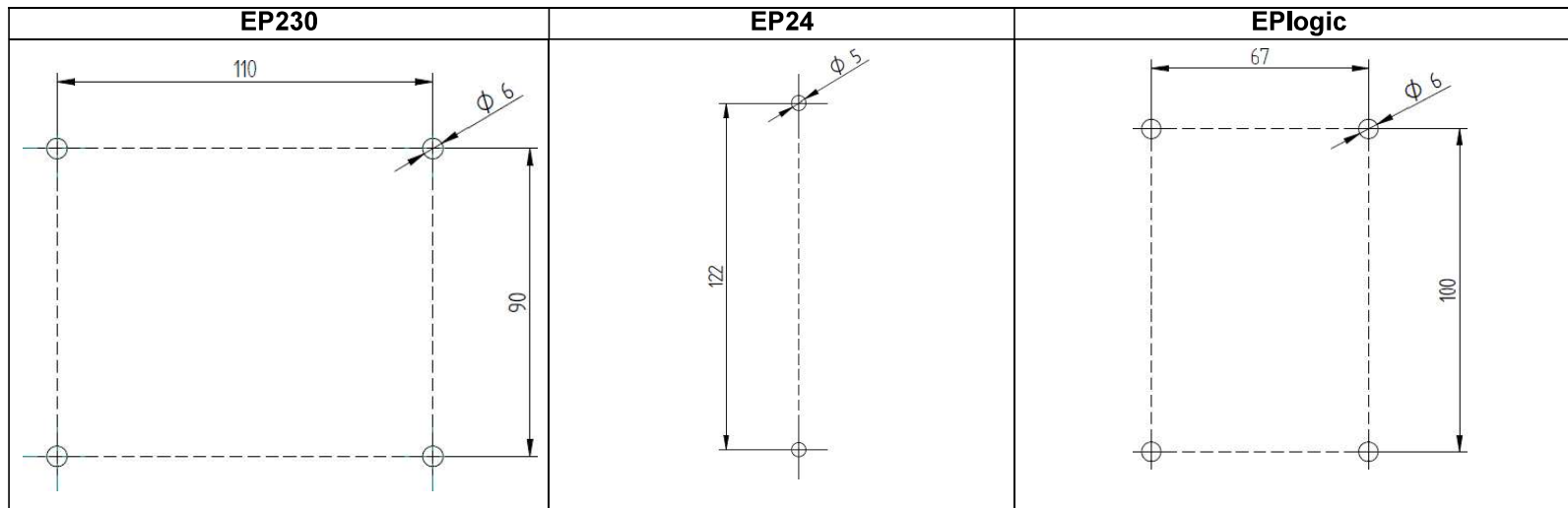
Part number	B-2604091 EP230	B-2604079 EP24	B-2604077 EPlogic
Operation voltage	230VAC, 50Hz	24VAC, 50/60Hz	230/240VAC, 50/60Hz
Capacity	50ml/min	60ml/min	20ml/min
Hose connection	<i>6mm inner / 9mm outer diameter</i>		
Power consumption	60VA	5VA	46VA
Ambient temperature	10..50°C	10..50°C	5..45°C
Dimensions [mm] (HxWxD)	155x175x90	135x65x85	172x94x130
International protection	IP65		
Other	<i>Overload protection with self-resetting temperature limiter</i>		<i>Pump with adjustable pause and dosing time</i>



Electrical connection

Part number		B-2604091 EP230				B-2604079 EP24			B-2604077 EPlogic			
Generator option		DS Option 230VAC				DS Option 24VAC			Operation notification			
Description		230VAC impulse	230VAC	N	PE	24VAC impulse	N	24VAC	Plug 230V/N		Enable potential free	
Terminal \ Wire	Steam generator Lite-Version	17 K22 / 11	L' L'	P P	PE PE	9 K22 / 11	N'	L'	-	-	K22/11	K22/14
	Pump	3	2	1	PE	Grey	Brown	Black	1	2	13	14

Drilling pattern





Drilling patterns are not scaled, dimension in mm!

Data sheet essence pumps



Mounting, commissioning

	B-2604091 EP230	B-2604079 EP24	B-2604077 EPlogic
<i>Mounting</i>	<p>The pump housing is opened by unscrewing the four screws in the cover. It is mounted with 4 screws through the back panel.</p>	<p>Do not open the pump housing. The upper screw must have a free distance of 4 mm from the wall. The pump is fitted over the upper bolt and pushed slightly to the right. Housing is fixed with lower screw.</p>	<p>Remove the blue cover and the 4 screws. Open the pump housing and attach case with 4 screws to the wall.</p> 
<i>Pushbutton quick fill</i>	<p>The white button for quick filling is located on the side of the pump housing.</p>	<p>The green button for quick filling is located at the bottom of the pump housing.</p>	<p>The button for quick filling is above the display.</p> 
<i>Adjust essence intensity</i>	<p>The essence intensity is adjusted at the steam generator. For details refer to manual "control DS" chapter parameters, steam bath functions.</p>		<p>The essence intensity is adjusted directly at the pump. Duration and interval time can be set via the menu. The pump starts dosing when the interval time has expired and the pump is released. Factory setting for intervall- is 5min and dosing time is 2sec.</p> <p> <input checked="" type="radio"/> Injection enabled <input type="radio"/> Injection not enabled </p>

<p><i>Insert pump hose</i></p>	<p><i>The pump hose is a wearing part and must be changed after reasonable periods of operation time by the following steps.</i></p> <ol style="list-style-type: none"><i>1. Take off cover of pump case and pull out tube retainer with pump tube while turning the rotor clockwise by hand.</i><i>2. Remove old pump tube from tube retainer and put in new tube without twisting it.</i><i>3. If the pump case is wet or dirty because of escaping product, the rotor must be dismantled and the inside of the pump case must be cleaned and dried carefully.</i><i>4. Insert tube retainer into pump case.</i><i>5. Introduce tube into the track inside pump case by turning the rotor clockwise by hand.</i><i>6. Fasten cover of pump case.</i>
--------------------------------	---

Data sheet essence pumps



Settings EPLogic

Select language



Simultaneously press both arrow keys for menu



CONFIGURATION



*Enter **Service Code 0110**. Change digits with the arrow keys and jump with enter key to the next digit.*



SELECT LANGUAGE



Select language with arrow keys



Confirm with Enter and leave with ESC

Set time and output



Simultaneously press both arrow keys for menu



SET PAUSE TIME



SET RUN TIME



SET DOSING RATE



Open each menu item with Enter button. Change digits with the arrow keys and jump with enter key to the next digit

Data sheet essence pumps



Spare parts, accessories

Diagram Number	Description	Part number
1	Essence pump 230VAC	B-2604091
	Essence pump 24VAC	B-2604079
	Essence pump 230VAC internal logic	B-2604077
2	Hose for peristaltic pump	E-2604074
3	Rotor casing cover	E-2604103
4	Rotor	E-2604101
5	Hose retainer	E-2604107
6	Tube connector for silicone-hose PP 6mm	E-2604076
7	Non-return valve for essence	E-2604078
8	Silicone-hose 6 x 1.5 for essence	E-2604070
9	Clamp for essence hose	E-8501055
10	T-piece for essence injection DN25	B-2604067
	T-piece for essence injection DN40	B-2604069
11	Clamp for steam hose DN25	E-2404004
	Clamp for steam hose DN40	E-2604016
12	Steam hose DN25	E-2604012
	Steam hose DN40	E-2604013
13	Essence receptable	E-2605001

