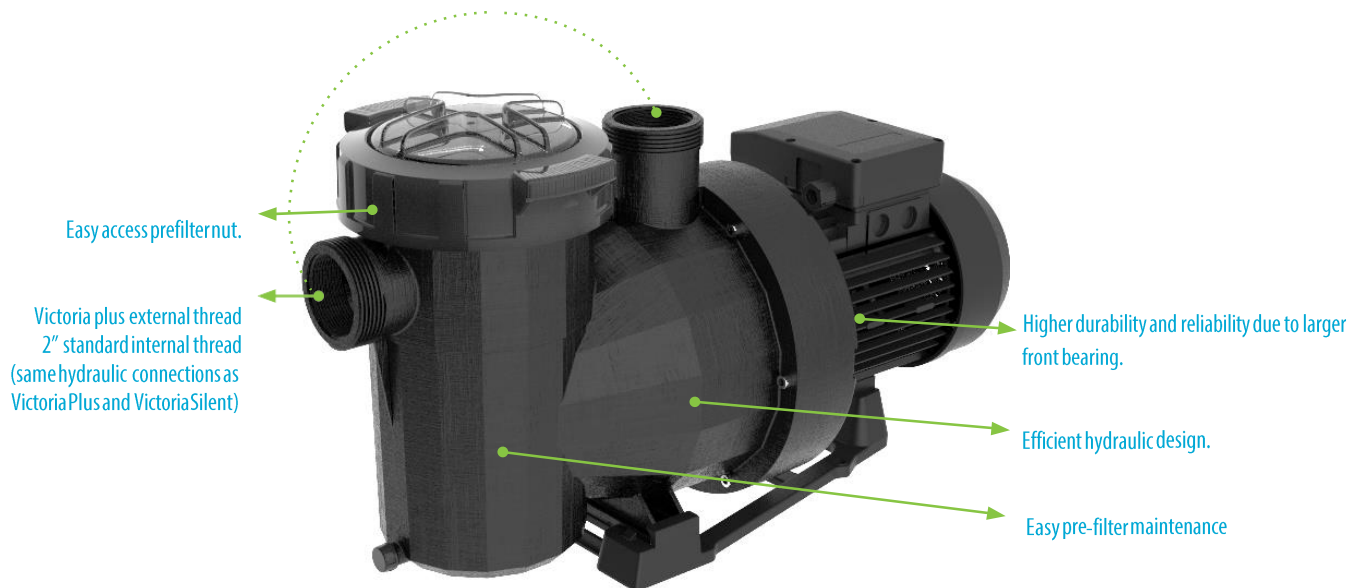


NAUTILUS SILENT PUMP

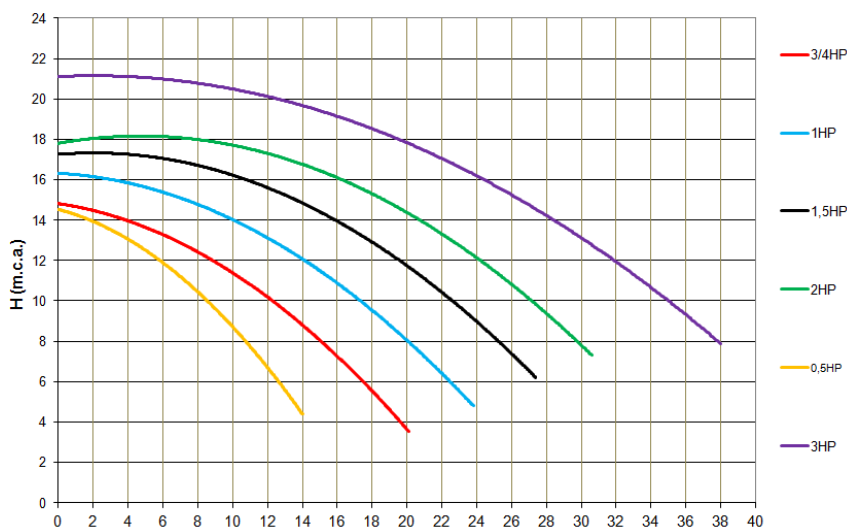


The body of the pump is made of the latest generation thermoplastics suitable for waters with high levels of suspended solids, ozone treatments and sea water. The pumps are Selfpriming, range from 1/2 Hp up to 3 Hp and are provided with both single-phase and three-phase motors. The mechanical seal is AISI 316 stainless steel and silicon carbide.

A pre-filter has been integrated into the body of the pump to prevent the entry of any foreign bodies which could cause damage to the hydraulic parts of the pump. The motors supplied with the pump unit have been protected with IP-55 protection and are adapted to withstand hot atmospheres and high humidity levels.

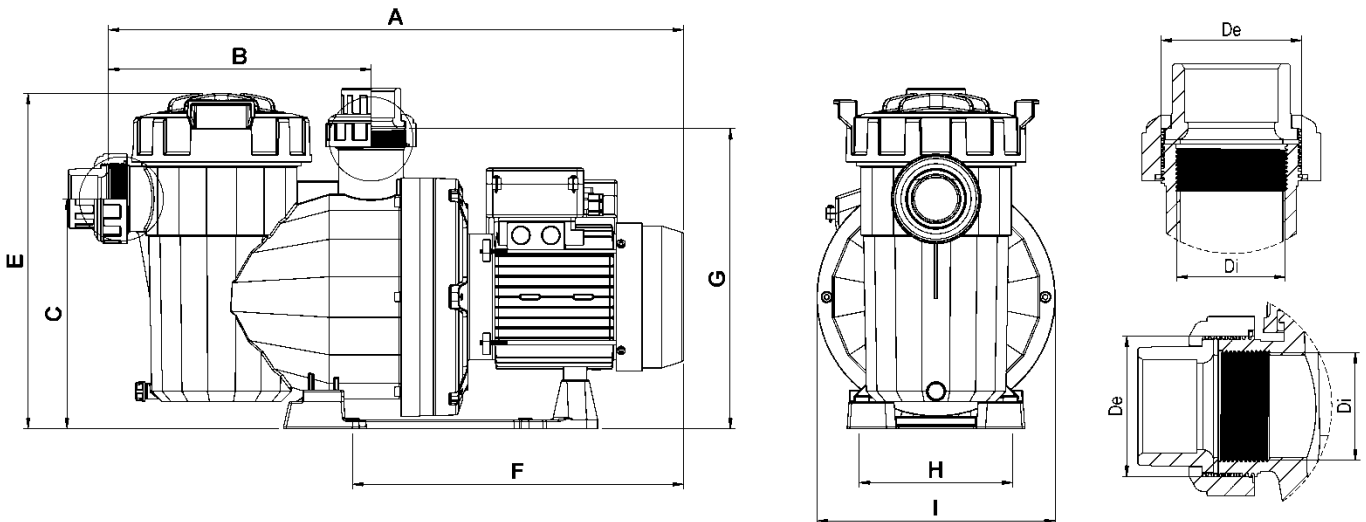
Oversized front bearing to improve resistance to axial forces.

PERFORMANCE CURVES AH-Q



TECHNICAL CHARACTERISTICS

CODE	POWER	VOLTAGE	H MAX	RPM	Q NOM	H NOM	BOX	
							WEIGHT	VOLUME
	CV/HP	V	m		m ³ /h	m	Kg	m ³
72549	1/2 CV II	230V	13	2810	10	8	12	0,07
72551	3/4 CV II	230V	14	2802	11	10	13	
72553	1 CV II	230V	17	2810	16	10	14	
72554	1 CV III	230/400V	17	2810	16	10		
72556	1,5 CV III	230/400V	18	2810	21,5	10	17	
72558	2 CV III	230/400V	18	2800	26	10	17	
72560	3 CV III	230/400V	22,5	2780	34	10	18	

DIMENSIONS


CODE	MOTOR		H max.	DIMENSIONS										PVC	
	HP	VOLTAGE		A	B	C	De	Di	E	F	G	H	I	Pipe diameter	
		V	m	(mm)											
72549	1/2	230	C.71	13	581	281	246	ACME D.75	2" GAS	359	322	321	164	254	50
72551	3/4	230		14	581	281	246	ACME D.75	2" GAS	359	322	321	164	254	50
72553	1	230		17	581	281	246	ACME D.75	2" GAS	359	322	321	164	254	50
72554	1	230 - 400	C.80	17	581	281	246	ACME D.75	2" GAS	359	322	321	164	254	50
72556	1 1/2	230 - 400		18	615	281	246	ACME D.75	2" GAS	359	356	321	164	254	63
72558	2	230 - 400		18	615	281	246	ACME D.75	2" GAS	359	356	321	164	254	63
72560	3	230 - 400	C.80	22,5	615	281	246	ACME D.75	2" GAS	359	356	321	164	254	63

NOTE: Pipe fittings D50 (from 0,5 to 1 HP) and D63 (from 1,5 to 3 HP) are included.